

WLRS and WLRD Wet Location Covers

For NEMA Configuration Receptacle Interiors
For FS and FD Cast Device Boxes
Flush Device Boxes

Application:

WLRS and WLRD series wiring device covers are designed to meet the total NECCode requirements for wet locations – Article 410-57:

“A receptacle installed in a wet location where the product intended to be plugged into it is not attended while in use shall have an enclosure that is weatherproof with the attachment plug cap inserted or removed.”

WLRS and WLRD series covers are suitable for use in wet and damp locations:

- wherever portable equipment is required
- as general purpose utility receptacle covers
- for industrial, commercial or residential use
- in areas where electrical requirements do not exceed medium duty ratings
- to mount FS and FD single-gang or multi-gang boxes having individual cover openings (see Sect. 3F for listings)
- to mount on most flush device boxes (see Accessories)

Features:

WLRS and WLRD covers:

- self closing spring door assures protection of wiring device at all times, in wet and damp locations
- one piece EPDM gasket provides environmental protection of wiring device at all times
- EPDM gasketing material offers excellent resistance to ozone, weather and temperature extremes of -50°F to 260°F
- die cast, copper-free aluminum construction with aluminum lacquer finish provides maximum corrosion resistance
- positive ground path ensured for all exposed metal parts

NEMA configuration receptacle interiors:

- comply with NEMA Standards WD-1 and WD-5
- grounded through an extra contact in all types except 3-phase applications; self grounded in duplex variety
- back and side wired
- offered in single and duplex configurations for use with standard plugs
- specification grade

Standard Materials:

- WLRS and WLRD face plate and cover – die cast copper-free aluminum
- Cover hinge spring – stainless steel
- Cover screws – corrosion resistant metal
- Gasket – ethylene propylene rubber (EPDM)

Standard Finishes:

- Copper-free aluminum – aluminum lacquer

Electrical Rating Ranges:

- 15 amperes; 125, 250, or 277 volts
- 20 and 30 amperes; 125, 250, 277, 480, 600, 125/250, 208/120, 480/277 or 600/347 volts

Accessories:

Flush mounting adapter – **WLRA-1** required for mounting on device boxes. (Order separately)

Certifications and Compliances:

- ANSI/UL Standard 514A
- NECCode 410-57
- OSHA Standards, Subpart “S”
- NEMA Standards WD-1, 1974 (Straight Blade) and WD-5, 1972 (Locking Type)



Typical installation

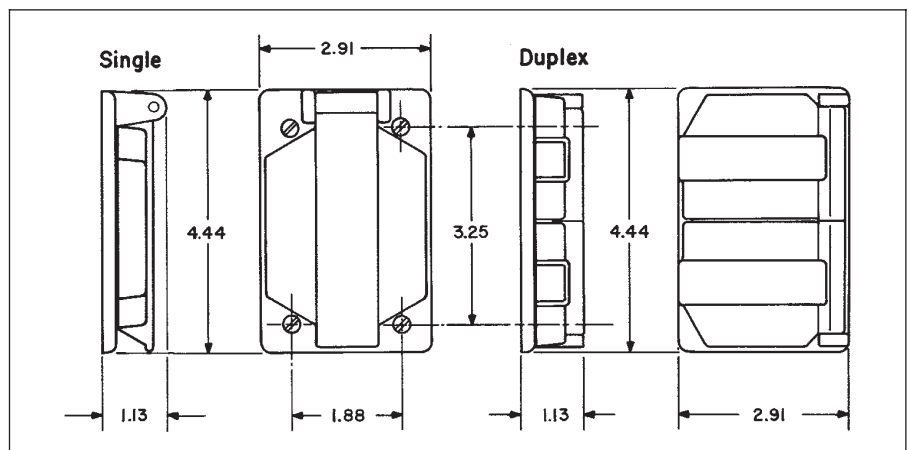
Spring Door Covers – with Gasket*



Description Cat. #	Single cover WLRS-1 WLRD-2	Diameter 1 3/8" 1 1/2"	Duplex cover WLRD-1†	Diameter 1 3/8"
-----------------------	----------------------------------	------------------------------	-------------------------	--------------------

* Patent Number 4,058,358

Dimensions



† Horizontal mount only.

Covers with and without NEMA Configuration Receptacles

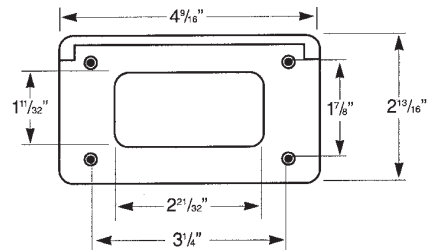
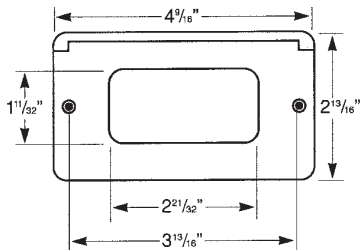
Type	Volts	NEMA Configuration	Complete Cover with Receptacle Assy. Cat. #	Spring Door Cover & Gasket Only Cat. # ‡	Type	Volts	NEMA Configuration	Complete Cover with Receptacle Assy. Cat. #	Spring Door Cover & Gasket Only Cat. # ‡
Single Device					Duplex Device				
For Non-Locking Blade Plugs									
2-Pole 3-Wire Grounding 15 Amp	125V	5-15R	WLRS-5-15	WLRS-1	2-Pole 3-Wire Grounding 15 Amp	125V	5-15R	WLRD-5-15	WLRD-1
	250V	6-15R	WLRS-6-15	WLRS-1		250V	6-15R	WLRD-6-15	WLRD-1
2-Pole 3-Wire Grounding 20 Amp	125V	5-20R	WLRS-5-20	WLRS-1	2-Pole 3-Wire Grounding 20 Amp	125V	5-20R	WLRD-5-20	WLRD-1
	250V	6-20R	WLRS-6-20	WLRS-1		250V	6-20R	WLRD-6-20	WLRD-1
For Locking Blade Plugs									
2-Pole 3-Wire Grounding 15 Amp	125V	L5-15R	WLRS-L5-15	WLRS-1	2-Pole 3-Wire Grounding 15 Amp	125V	L5-15R	WLRD-L5-15	WLRD-1
	250V	L6-15R	WLRS-L6-15	WLRS-1					
2-Pole 3-Wire Grounding 20 Amp	125V	L5-20R	WLRS-L5-20	WLRS-2					
	250V	L6-20R	WLRS-L6-20	WLRS-2					

Wet Location Covers for GFCI Duplex Receptacles



Cat. No.
Description
WLGf For Flush Device Boxes Spring Door Cover & Gasket Only
Cat # WLGf

Cat. No.
Description
WLGf-FS For FS and FD Cast Device Boxes Spring Door Cover & Gasket Only
Cat. # WLGf-FS



‡ Must be used with a wet locations rated wiring device.